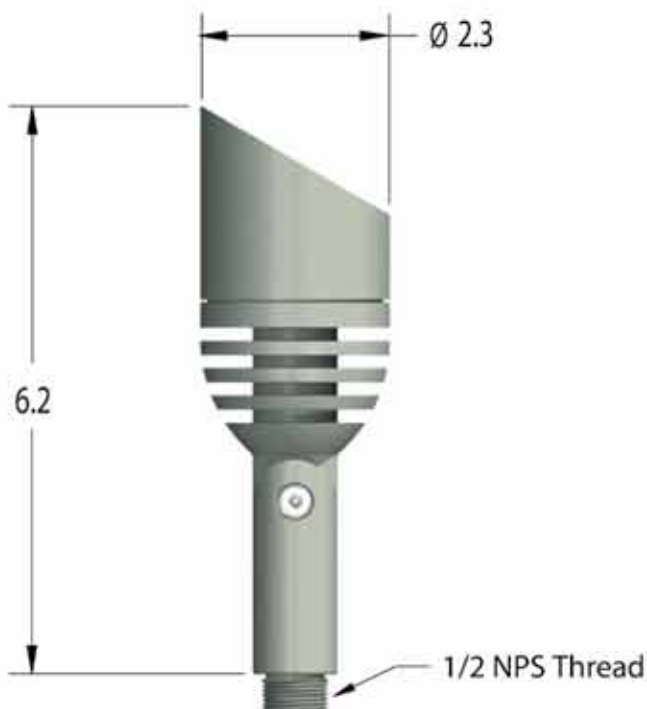


**This compact, eco-friendly LED spotlight blends discreetly into the surrounding lanscape, combining beauty and durability**




Dimensions (inch)

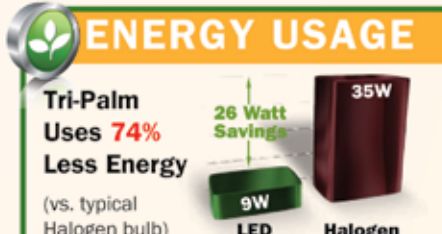
## DESCRIPTION

- The Tri-Palm is a compact low energy LED spotlight. Its compact form blends discreetly into the surrounding landscape.
- LED technology delivers reliable low maintenance lighting service.
- Engineered specifically for today's LED technology the Tri-Palm's fixture design provides critical thermal transfer. Excellent heat removal ensures high performance and reliability of its LED light source.
- Other features include anti-wicking power lead, tool-free optic interchange and service upgrade capability.

## SPECIFICATIONS

<b>Light Source</b>	High-brightness LED (light emitting diode)
<b>LED Life (L70)</b>	50,000 hours average *
<b>Input Voltage</b>	11 to 15 Vac/Vdc
<b>Power Consumption</b>	8.5 Watts
<b>Color Temperature</b>	3000 CCT (K) Typical
<b>CRI</b>	80 Typical
<b>Optic</b>	Interchangeable TIR lens
<b>Material</b>	6061-T6 Aluminum, Brass or Copper
<b>Fasteners</b>	316L Stainless steel hardware
<b>Standard Mounting</b>	PVC Post and ABS Cap
<b>Operating Temperature</b>	-31F to 122F (-35C to 50C)
<b>Certification</b>	UL1838  3096671

Project	
Fixture Type	
Prepared By	



**ENERGY USAGE**

Tri-Palm Uses **74% Less Energy** (vs. typical Halogen bulb)

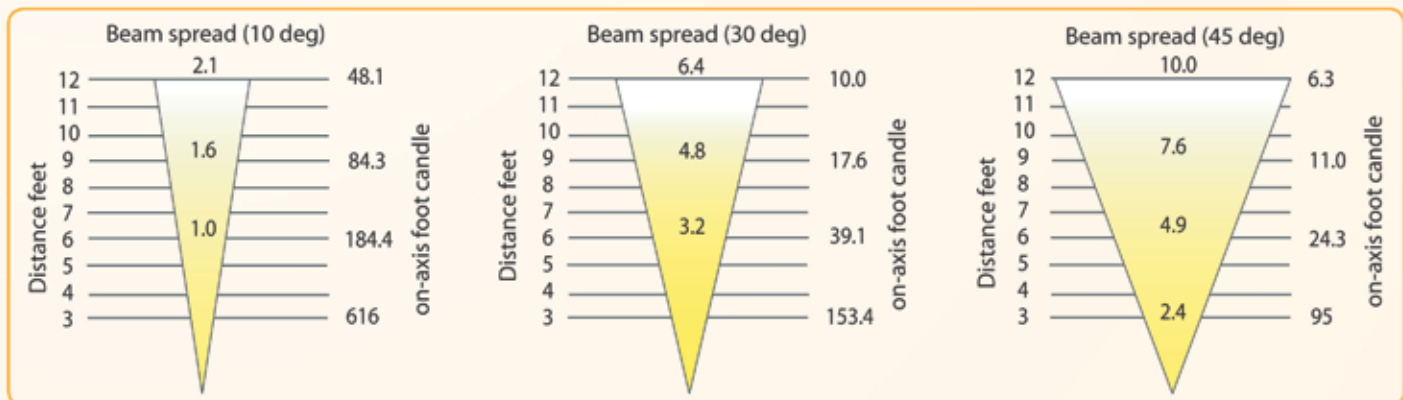
26 Watt Savings

9W LED vs. 35W Halogen



\*LED life is defined as the time to 70% lumen maintenance (L70)

## BRIGHTNESS



## ORDERING GUIDE

Prefix	Material	Optic	Finish
TP	[AL] Aluminum [BR] Brass [CU] Copper	[N] Narrow 10° [M] Medium 30° [W] Wide 45°	[N] Natural [BK] Powder Coat Black [GR] Powder Coat Green [BN] Powder Coat Brown [C] Custom - Please consult our factory for custom finishes